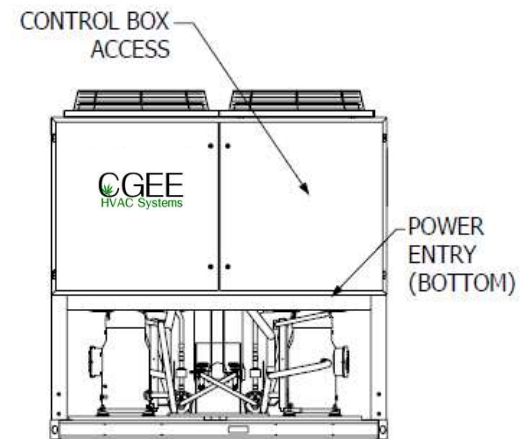
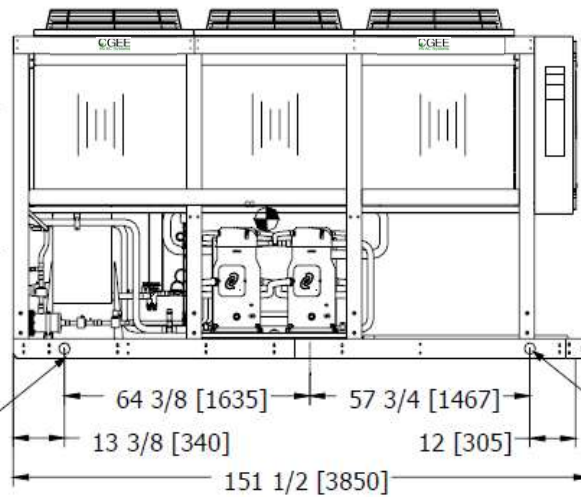
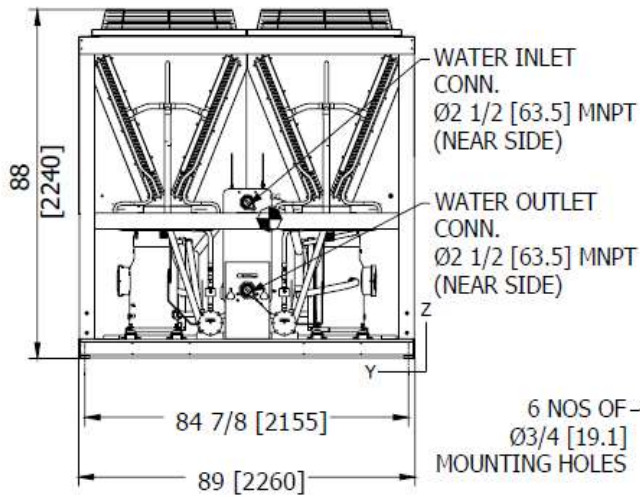
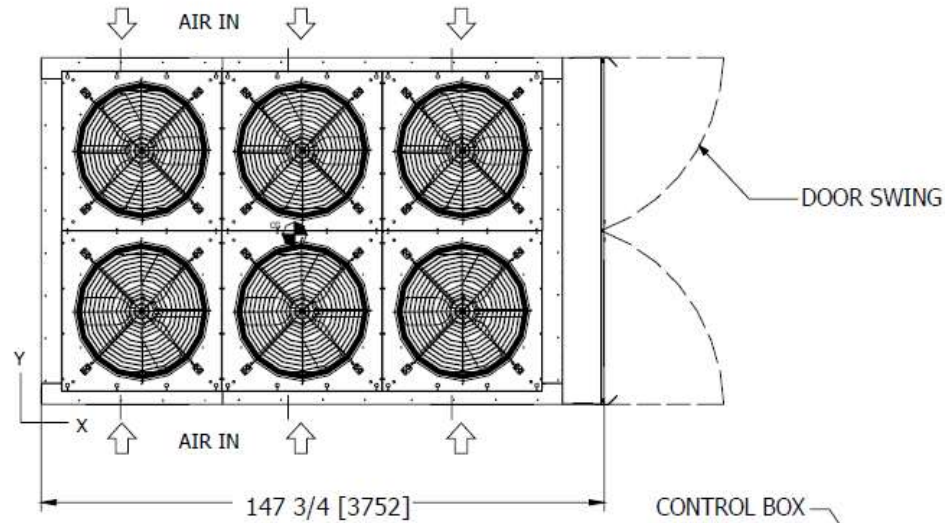


# CGACDS 080,090

60HZ

**NOTES:**

1. ALLOW 60 [1524] CLEARANCE AT CONTROL PANEL END OF UNIT FOR SERVICES.
2. WATER PIPING TO BE SUPPORTED TO MINIMIZE LOAD ON UNIT.



4 NOS OF Ø2 7/8 [73.0] LIFTING HOLES